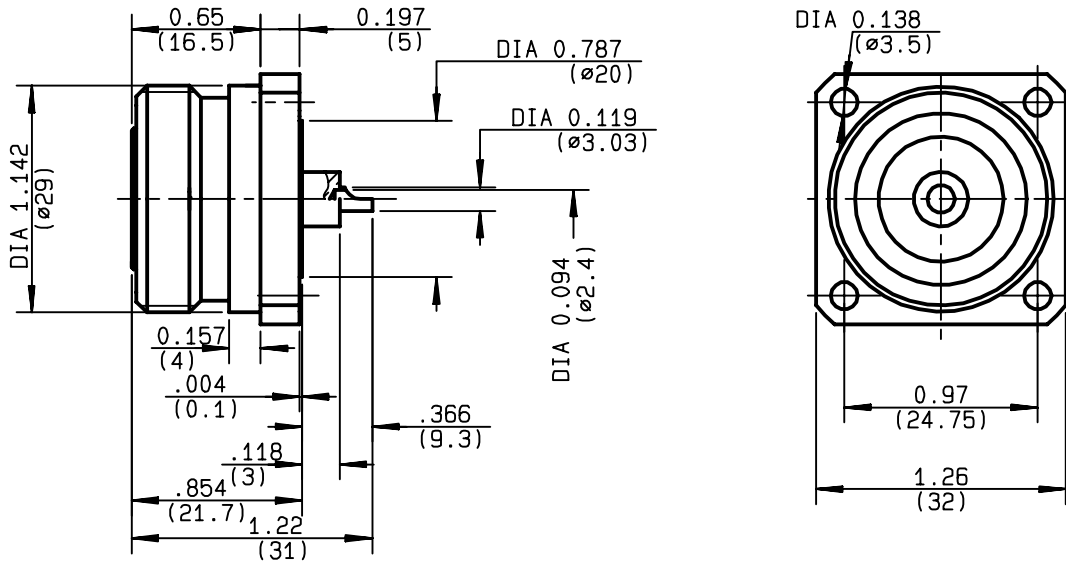


**SQUARE FLANGE JACK RECEPTACLE  
WITH SOLDER POT CONTACT**

**R185.404.100**  
**SERIES 7-16**



NOMINAL IMPEDANCE	<b>50</b>	$\Omega$
FREQUENCY RANGE	<b>0-7.5</b>	GHz
TEMPERATURE RATING	<b>-55/+155</b>	$^{\circ}\text{C}$
V.S.W.R	<b>1.15</b> +	x F(GHz)Maxi
RF INSERTION LOSS	<b>0.03</b>	$\sqrt{F}$ (GHz) dB Maxi
VOLTAGE RATING	<b>1400</b>	Veff Maxi
DIELECTRIC WITHSTANDING VOLTAGE	<b>4000</b>	Veff Mini
INSULATION RESISTANCE	<b>10000</b>	M $\Omega$ Mini
HERMETIC SEAL	<b>NA</b>	Atm.cm <sup>3</sup> /s
LEAKAGE (pressurized only)	<b>NA</b>	
MECHANICAL DURABILITY	<b>500</b>	Cycles
WEIGHT	<b>82</b>	gr
SPECIFICATION		

CABLES :	
OTHERS CHARACTERISTICS	
CABLE RETENTION	<b>NA</b> N Mini
CENTER CONTACT RETENTION	
Axial force - mating end	<b>200</b> N Mini
Axial force - opposite end	<b>200</b> N Mini
Torque	<b>NA</b> cm.N Mini
RECOMMENDED TORQUES	
Mating	<b>NA</b> cm.N
Panel nut	<b>NA</b> cm.N
Clamp nut	<b>NA</b> cm.N

CONNECTOR PARTS:	MATERIALS	FINISH	(all values are given ) in micrometers
BODY	BRASS	SILVER 5 OVER COPPER	0.5
OUTER CONTACT	BRASS	SILVER 5 OVER COPPER	0.5
CENTER CONTACT	BERYLLIUM COPPER	SILVER 5 OVER COPPER	0.5
INSULATOR	PTFE	-	
GASKET		-	
OTHERS PIECES			

ISSUE	CREATION DATE	FILE PART-NUMBER
<b>9944D01</b>	<b>25/06/1996</b>	<b>95-0009-019</b>



PERRIN

The information given here is subject to change without notice.  
Design changes may be in order to improve the product .

*Connect to the future*